

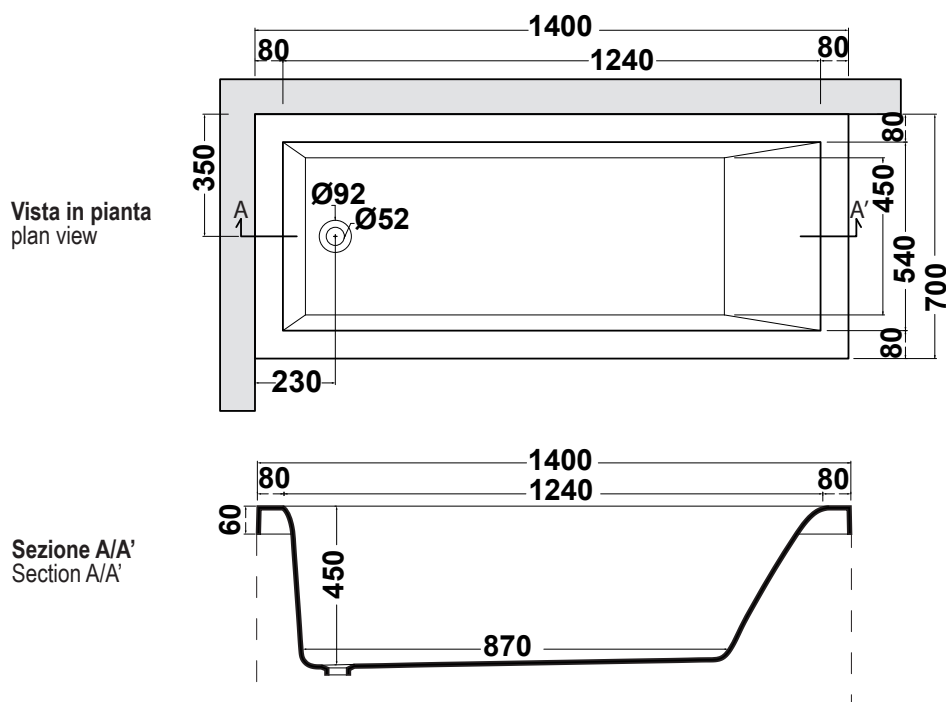
Descrizione / Description :

Sharm Rettangolare SX/DX

Vasca idromassaggio

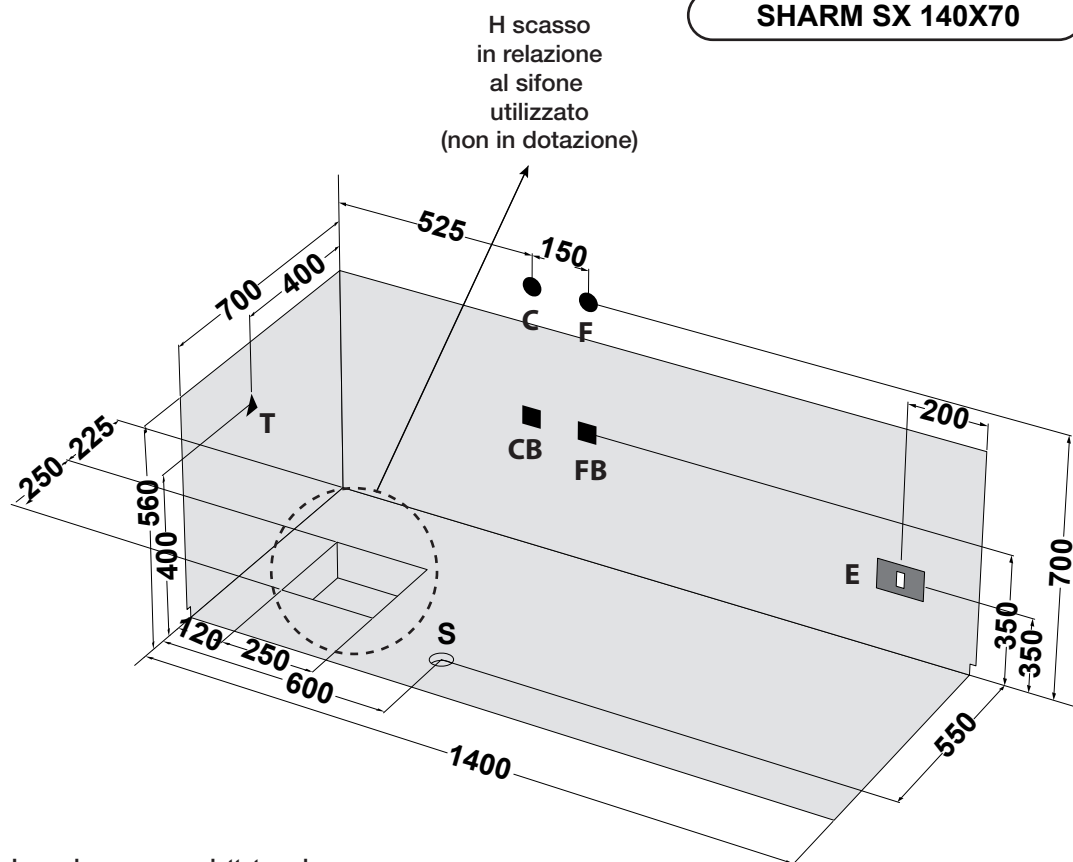
Hydro-massage bathtubs

1400x700xh560 mm _Cod: SHAG14070



I	CARATTERISTICHE IDRAULICHE	CARATTERISTICHE ELETTRICHE IDROMASSAGGIO								
<p>N.B. L'INSTALLAZIONE DEVE AVVENIRE A PAVIMENTO E PARETI FINITE</p>	<p>Numero jets: 6</p>	<table border="1"> <tr> <td>V</td> <td>HZ</td> <td>KW</td> <td>A</td> </tr> <tr> <td>220/240</td> <td>50/60</td> <td>0,78</td> <td>4,5</td> </tr> </table>	V	HZ	KW	A	220/240	50/60	0,78	4,5
V	HZ	KW	A							
220/240	50/60	0,78	4,5							
<p>Contenuto acqua Lt 150</p>	<p>jets airpool : 12</p>	<p>ELETTRO POMPA AIRPOOL</p> <table border="1"> <tr> <td>V</td> <td>HZ</td> <td>KW</td> <td>A</td> </tr> <tr> <td>220/230</td> <td>50/60</td> <td>0,65</td> <td>3</td> </tr> </table>	V	HZ	KW	A	220/230	50/60	0,65	3
V	HZ	KW	A							
220/230	50/60	0,65	3							
GB	WATER SYSTEM SPECIFICATION	POWER SYSTEM SPECIFICATION								
<p>N.B. THE INSTALLATION MUST BE CARRIED OUT WITH FLOOR AND WALLS ALRESDY TILED</p>	<p>Numero jets: 6</p>	<table border="1"> <tr> <td>V</td> <td>HZ</td> <td>KW</td> <td>A</td> </tr> <tr> <td>220/240</td> <td>50/60</td> <td>0,78</td> <td>4,5</td> </tr> </table>	V	HZ	KW	A	220/240	50/60	0,78	4,5
V	HZ	KW	A							
220/240	50/60	0,78	4,5							
<p>Water capacity Lt 150</p>	<p>jets airpool : 12</p>	<p>ELECTRO PUMP AIRPOOL</p> <table border="1"> <tr> <td>V</td> <td>HZ</td> <td>KW</td> <td>A</td> </tr> <tr> <td>220/230</td> <td>50/60</td> <td>0,65</td> <td>3</td> </tr> </table>	V	HZ	KW	A	220/230	50/60	0,65	3
V	HZ	KW	A							
220/230	50/60	0,65	3							

SHARM SX 140X70



Ingombro vasca proiettato nel muro
Bath overall dimensions as projected on the wall

REQUISITI DI PREINSTALLAZIONE

C : Allaccio acqua calda rubinetteria parete:	1/2"
F : Allaccio acqua fredda rubinetteria parete:	1/2"
CB : Allaccio acqua calda bordo vasca:	1/2"
FB : Allaccio acqua fredda bordo vasca:	1/2"
T : Allaccio miscelatore per erogazione da troppopieno:	1/2"
S : Allaccio scarico incassato a pavimento:	1-1/2"
E : Allaccio elettrico idromassaggio (pressacavo PG 11):	IPX5

COMBINAZIONI RUBINETTERIA

C F :	Rubinetteria parete
CFT:	Rubinetteria parete con erogazione troppopieno
CB BF:	Rubinetteria bordo vasca

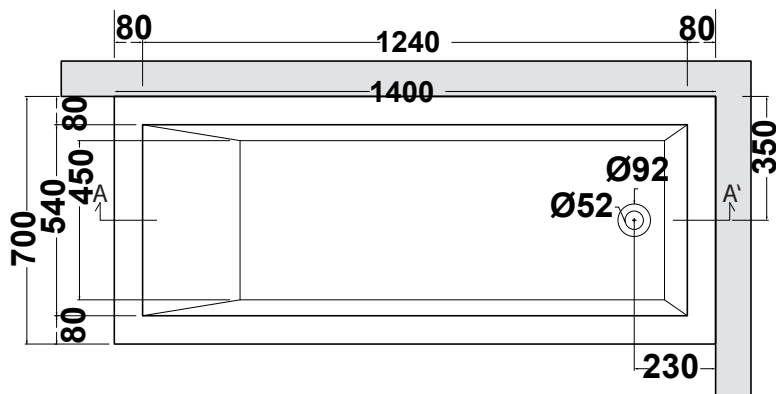
CONDITION REQUIRED BEFORE THE INSTALLATION

C : Wall taps outlet for hot water:	1/2"
F : Wall taps outlet for cold water:	1/2"
CB : Bath edge taps outlet for hot water:	1/2"
FB : Bath edge taps outlet for cold water:	1/2"
T : Single outlet for mixed water to supply by overflowing:	1/2"
S : Drainage outlet installed in the floor:	1-1/2"
E : Power outlet for the whirlpool (cabling press box PG 11):	IPX5

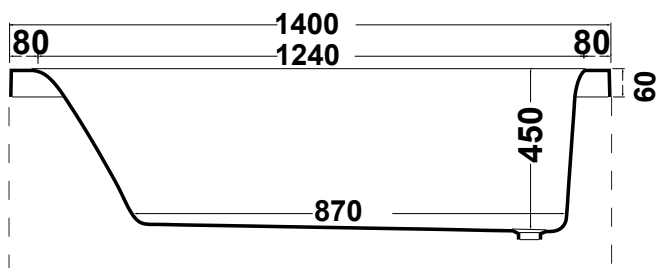
TAPS COMBINATION

C F :	Wall taps
CFT:	Wall taps with water supply by overflowing
CB BF:	Bath edge taps

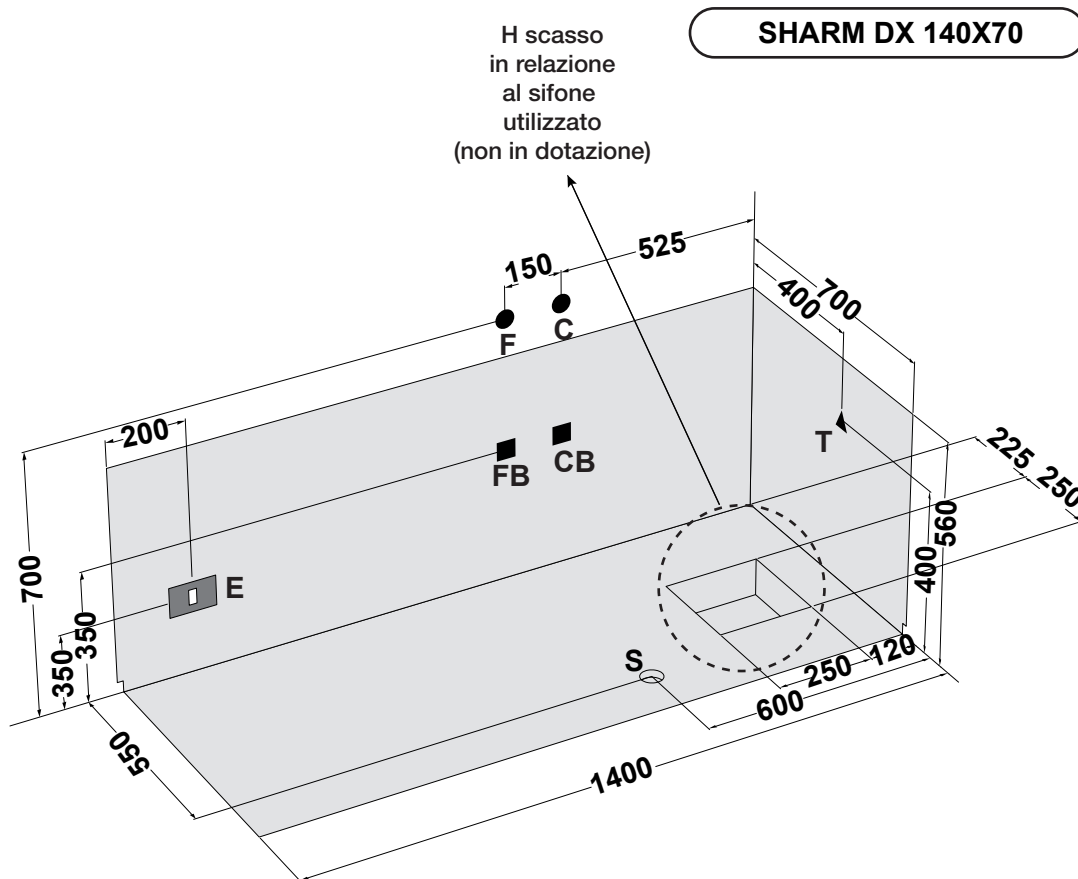
Vista in pianta
plan view



Sezione A/A'
Section A/A'



I	CARATTERISTICHE IDRAULICHE	CARATTERISTICHE ELETTRICHE IDROMASSAGGIO								
N.B. L'INSTALLAZIONE DEVE AVVENIRE A PAVIMENTO E PARETI FINITE	Numero jets: 6	<table border="1"> <thead> <tr> <th>V</th> <th>HZ</th> <th>KW</th> <th>A</th> </tr> </thead> <tbody> <tr> <td>220/240</td> <td>50/60</td> <td>0,78</td> <td>4,5</td> </tr> </tbody> </table>	V	HZ	KW	A	220/240	50/60	0,78	4,5
V	HZ	KW	A							
220/240	50/60	0,78	4,5							
Contenuto acqua Lt 150	jets airpool : 12	ELETTRO POMPA AIRPOOL <table border="1"> <thead> <tr> <th>V</th> <th>HZ</th> <th>KW</th> <th>A</th> </tr> </thead> <tbody> <tr> <td>220/230</td> <td>50/60</td> <td>0,65</td> <td>3</td> </tr> </tbody> </table>	V	HZ	KW	A	220/230	50/60	0,65	3
V	HZ	KW	A							
220/230	50/60	0,65	3							
GB	WATER SYSTEM SPECIFICATION	POWER SYSTEM SPECIFICATION								
N.B. THE INSTALLATION MUST BE CARRIED OUT WITH FLOOR AND WALLS ALRESDY TILED	Numero jets: 6	<table border="1"> <thead> <tr> <th>V</th> <th>HZ</th> <th>KW</th> <th>A</th> </tr> </thead> <tbody> <tr> <td>220/240</td> <td>50/60</td> <td>0,78</td> <td>4,5</td> </tr> </tbody> </table>	V	HZ	KW	A	220/240	50/60	0,78	4,5
V	HZ	KW	A							
220/240	50/60	0,78	4,5							
Water capacity Lt 150	jets airpool : 12	ELECTRO PUMP AIRPOOL <table border="1"> <thead> <tr> <th>V</th> <th>HZ</th> <th>KW</th> <th>A</th> </tr> </thead> <tbody> <tr> <td>220/230</td> <td>50/60</td> <td>0,65</td> <td>3</td> </tr> </tbody> </table>	V	HZ	KW	A	220/230	50/60	0,65	3
V	HZ	KW	A							
220/230	50/60	0,65	3							



SHARM DX 140X70

H scasso
in relazione
al sifone
utilizzato
(non in dotazione)

Ingombro vasca proiettato nel muro
Bath overall dimensions as projected on the wall

REQUISITI DI PREINSTALLAZIONE	COMBINAZIONI RUBINETTERIA
C : Allaccio acqua calda rubinetteria parete:	1/2"
F : Allaccio acqua fredda rubinetteria parete:	1/2"
CB : Allaccio acqua calda bordo vasca:	1/2"
FB : Allaccio acqua fredda bordo vasca:	1/2"
T : Allaccio miscelatore per erogazione da troppopieno:	1/2"
S : Allaccio scarico incassato a pavimento:	1-1/2"
E : Allaccio elettrico idromassaggio (pressacavo PG 11):	IPX5
	C F : Rubinetteria parete
	CFT: Rubinetteria parete con erogazione troppopieno
	CB BF: Rubinetteria bordo vasca
CONDITION REQUIRED BEFORE THE INSTALLATION	TAPS COMBINATION
C : Wall taps outlet for hot water:	1/2"
F : Wall taps outlet for cold water:	1/2"
CB : Bath edge taps outlet for hot water:	1/2"
FB : Bath edge taps outlet for cold water:	1/2"
T : Single outlet for mixed water to supply by overflowing:	1/2"
S : Drainage outlet installed in the floor:	1-1/2"
E : Power outlet for the whirlpool (cabling press box PG 11):	IPX5
	C F : Wall taps
	CFT: Wall taps with water supply by overflowing
	CB BF: Bath edge taps