

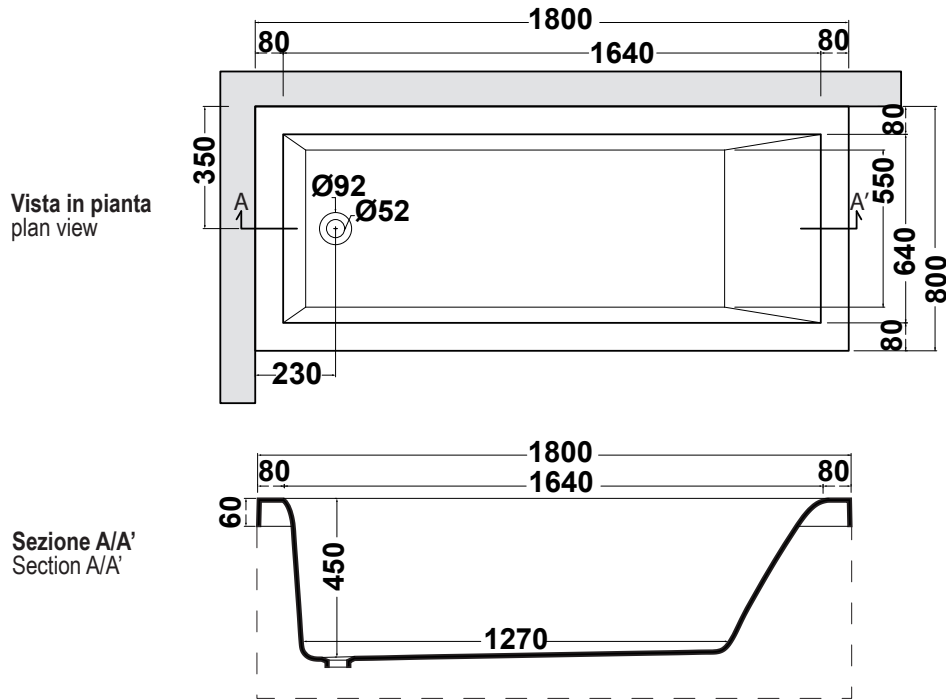
Descrizione / Description :

Sharm Rettangolare SX/DX

Vasca idromassaggio

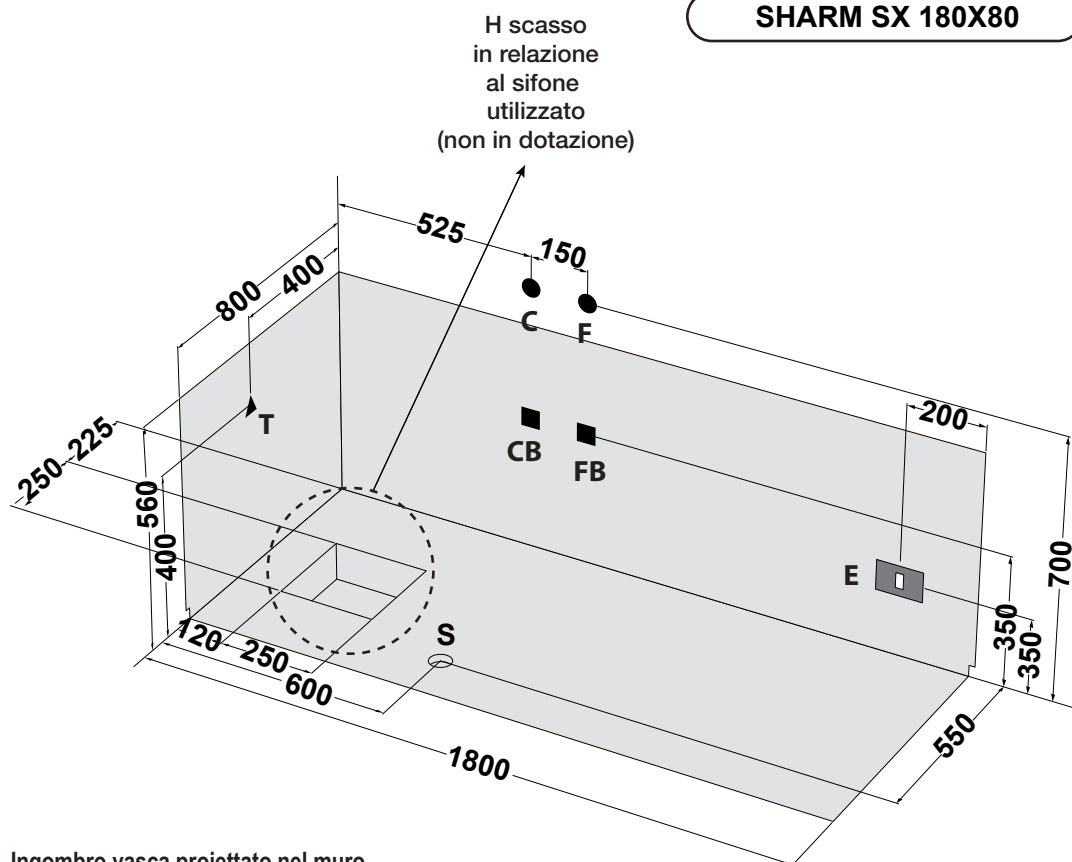
Hydro-massage bathtubs

1800x800xh560 mm _Cod: SHAG18070



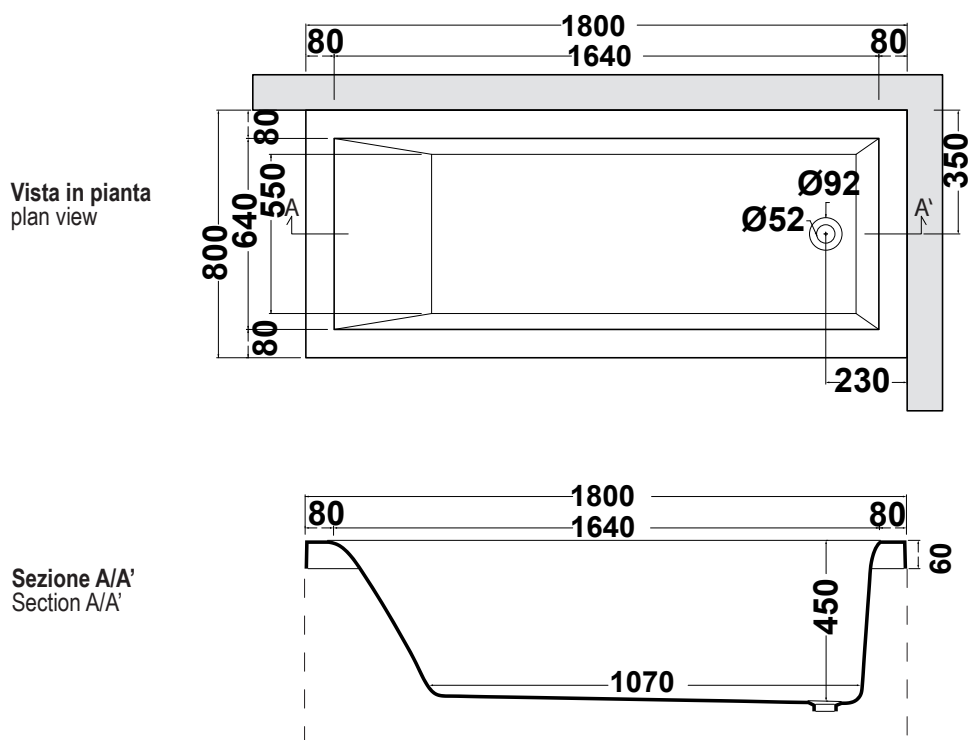
(I)		CARATTERISTICHE IDRAULICHE	CARATTERISTICHE ELETTRICHE IDROMASSAGGIO			
<i>N.B. L'INSTALLAZIONE DEVE AVVENIRE A PAVIMENTO E PARETI FINITE</i>		Numero jets: 8	V	HZ	KW	A
			220/240	50/60	0,78	4,5
			ELETTRO POMPA AIRPOOL			
Contenuto acqua	Lt 260	jets airpool : 12	V	HZ	KW	A
			220/230	50/60	0,65	3
(GB)		WATER SYSTEM SPECIFICATION	POWER SYSTEM SPECIFICATION			
<i>N.B. THE INSTALLATION MUST BE CARRIED OUT WITH FLOOR AND WALLS ALRESDY TILED</i>		Numero jets: 8	V	HZ	KW	A
			220/240	50/60	0,78	4,5
			ELECTRO PUMP AIRPOOL			
Water capacity	Lt 260	jets airpool : 12	V	HZ	KW	A
			220/230	50/60	0,65	3

SHARM SX 180X80

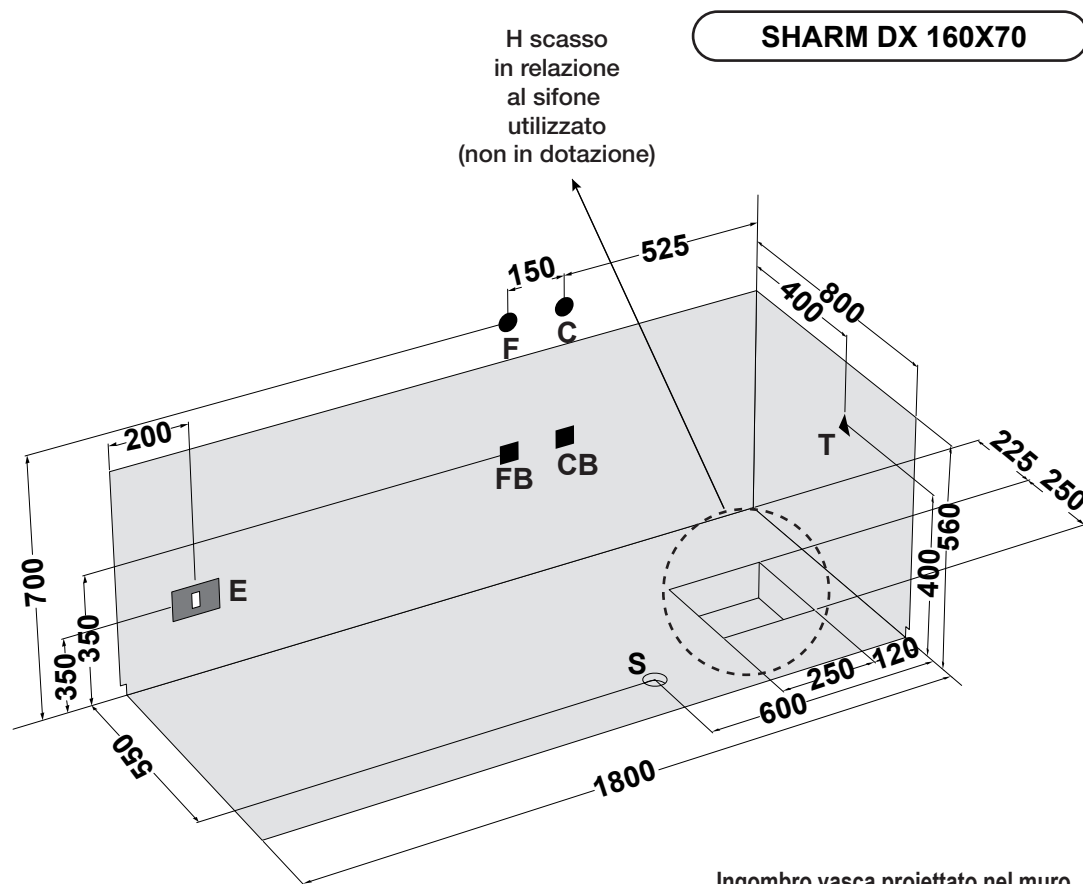


Ingombro vasca proiettato nel muro
Bath overall dimensions as projected on the wall

REQUISITI DI PREINSTALLAZIONE	COMBINAZIONI RUBINETTERIA
C : Allaccio acqua calda rubinetteria parete:	1/2"
F : Allaccio acqua fredda rubinetteria parete:	1/2"
CB : Allaccio acqua calda bordo vasca:	1/2"
FB : Allaccio acqua fredda bordo vasca:	1/2"
T : Allaccio miscelatore per erogazione da troppopieno:	1/2"
S : Allaccio scarico incassato a pavimento:	1-1/2"
E : Allaccio elettrico idromassaggio (pressacavo PG 11):	IPX5
	C F : Rubinetteria parete
	CFT: Rubinetteria parete con erogazione troppopieno
	CB BF: Rubinetteria bordo vasca
CONDITION REQUIRED BEFORE THE INSTALLATION	TAPS COMBINATION
C : Wall taps outlet for hot water:	1/2"
F : Wall taps outlet for cold water:	1/2"
CB : Bath edge taps outlet for hot water:	1/2"
FB : Bath edge taps outlet for cold water:	1/2"
T : Single outlet for mixed water to supply by overflowing:	1/2"
S : Drainage outlet installed in the floor:	1-1/2"
E : Power outlet for the whirlpool (cabling press box PG 11):	IPX5
	C F : Wall taps
	CFT: Wall taps with water supply by overflowing
	CB BF: Bath edge taps



①	CARATTERISTICHE IDRAULICHE	CARATTERISTICHE ELETTRICHE IDROMASSAGGIO								
<i>N.B. L'INSTALLAZIONE DEVE AVVENIRE A PAVIMENTO E PARETI FINITE</i>	Numero jets: 8	<table border="1"> <tr> <td>V</td> <td>HZ</td> <td>KW</td> <td>A</td> </tr> <tr> <td>220/240</td> <td>50/60</td> <td>0,78</td> <td>4,5</td> </tr> </table>	V	HZ	KW	A	220/240	50/60	0,78	4,5
V	HZ	KW	A							
220/240	50/60	0,78	4,5							
Contenuto acqua Lt 260	jets airpool : 12	ELETTRO POMPA AIRPOOL <table border="1"> <tr> <td>V</td> <td>HZ</td> <td>KW</td> <td>A</td> </tr> <tr> <td>220/230</td> <td>50/60</td> <td>0,65</td> <td>3</td> </tr> </table>	V	HZ	KW	A	220/230	50/60	0,65	3
V	HZ	KW	A							
220/230	50/60	0,65	3							
②	WATER SYSTEM SPECIFICATION	POWER SYSTEM SPECIFICATION								
<i>N.B. THE INSTALLATION MUST BE CARRIED OUT WITH FLOOR AND WALLS ALRESDY TILED</i>	Numero jets: 8	<table border="1"> <tr> <td>V</td> <td>HZ</td> <td>KW</td> <td>A</td> </tr> <tr> <td>220/240</td> <td>50/60</td> <td>0,78</td> <td>4,5</td> </tr> </table>	V	HZ	KW	A	220/240	50/60	0,78	4,5
V	HZ	KW	A							
220/240	50/60	0,78	4,5							
Water capacity Lt 260	jets airpool : 12	ELECTRO PUMP AIRPOOL <table border="1"> <tr> <td>V</td> <td>HZ</td> <td>KW</td> <td>A</td> </tr> <tr> <td>220/230</td> <td>50/60</td> <td>0,65</td> <td>3</td> </tr> </table>	V	HZ	KW	A	220/230	50/60	0,65	3
V	HZ	KW	A							
220/230	50/60	0,65	3							



Ingombro vasca proiettato nel muro
Bath overall dimensions as projected on the wall

REQUISITI DI PREINSTALLAZIONE	COMBINAZIONI RUBINETTERIA
C : Allaccio acqua calda rubinetteria parete:	1/2"
F : Allaccio acqua fredda rubinetteria parete:	1/2"
CB : Allaccio acqua calda bordo vasca:	1/2"
FB : Allaccio acqua fredda bordo vasca:	1/2"
T : Allaccio miscelatore per erogazione da troppopieno:	1/2"
S : Allaccio scarico incassato a pavimento:	1-1/2"
E : Allaccio elettrico idromassaggio (pressacavo PG 11):	IPX5
	C F : Rubinetteria parete
	CFT: Rubinetteria parete con erogazione troppopieno
	CB BF: Rubinetteria bordo vasca
CONDITION REQUIRED BEFORE THE INSTALLATION	TAPS COMBINATION
C : Wall taps outlet for hot water:	1/2"
F : Wall taps outlet for cold water:	1/2"
CB : Bath edge taps outlet for hot water:	1/2"
FB : Bath edge taps outlet for cold water:	1/2"
T : Single outlet for mixed water to supply by overflowing:	1/2"
S : Drainage outlet installed in the floor:	1-1/2"
E : Power outlet for the whirlpool (cabling press box PG 11):	IPX5
	C F : Wall taps
	CFT: Wall taps with water supply by overflowing
	CB BF: Bath edge taps